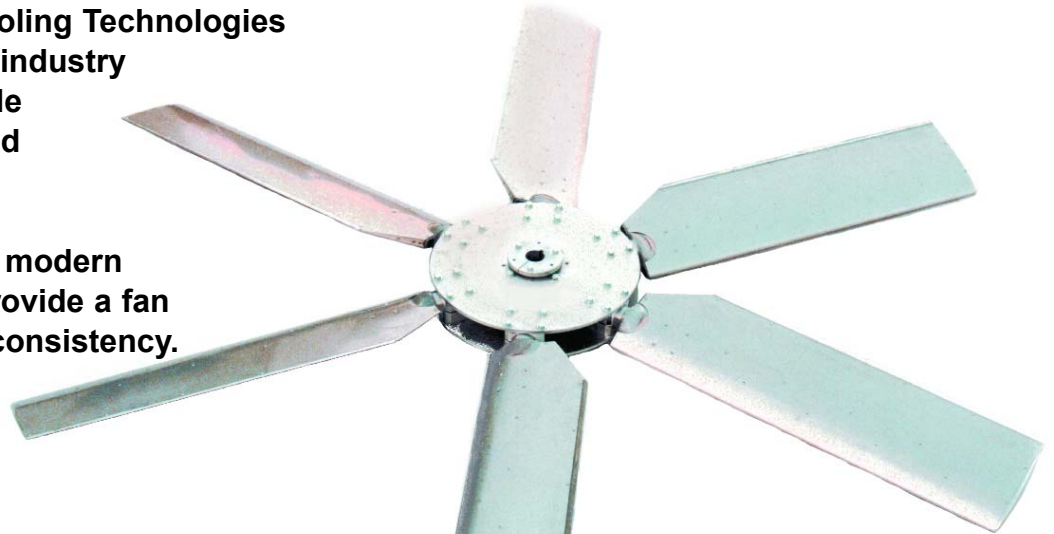


The New Standard. A New Era.

THE MANUALLY ADJUSTABLE

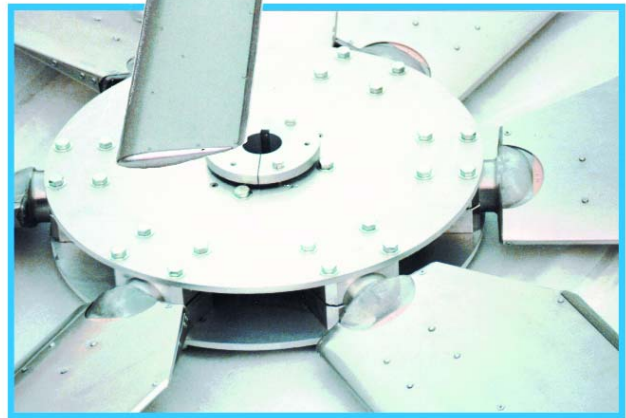
Series 12F Aluminum Fan

For over 25 years AirFlo Cooling Technologies 12F Series fan has been an industry workhorse known for reliable performance, service life and durability. This time tested performer is enhanced and improved by the benefits of modern fabrication technology to provide a fan with greater durability and consistency.



Product Features

- 12 inch wide fabricated aluminum blade.
- Straight symmetrical airfoil -- reversible for right or left hand rotation installations.
- 5' to 20' diameter fans available with modern PowerFlo plate style hub in 15 inch, 24 inch, 33 inch or 45 inch hub diameter.
- Manufactured on computer controlled machinery for accuracy and repeatability.
- Available with factory applied corrosion resistant coating for salt laden or caustic environments.
- Time tested air side and sound performance.
- Supplied complete with QD style split taper bushing and all mounting hardware.
- Available with stainless steel hardware.
- Short lead times --quick deliveries.



Material Specifications

Blades:

Shank -- cast aluminum, ASTM B-26 SG70A (356-T6)
Skin -- 5052 H32 aluminum sheet
Airfoil Spar -- extruded 6005-T5 aluminum
Blade Tip -- 1100-0 aluminum sheet

Hub:

Plate Hub -- high strength aircraft grade 6061-T6 or marine grade 5052-H32 aluminum plate
Cast Center Hub -- cast aluminum, ASTM B-26 SG70A (356-T6)

Bushing: Ductile iron



AirFlo Cooling Technologies, Inc.
www.Aircooltech.com

728 South Wheeling
Tulsa, Oklahoma 74104
Ph.: 918 585 5638
Fax: 918 587 3577

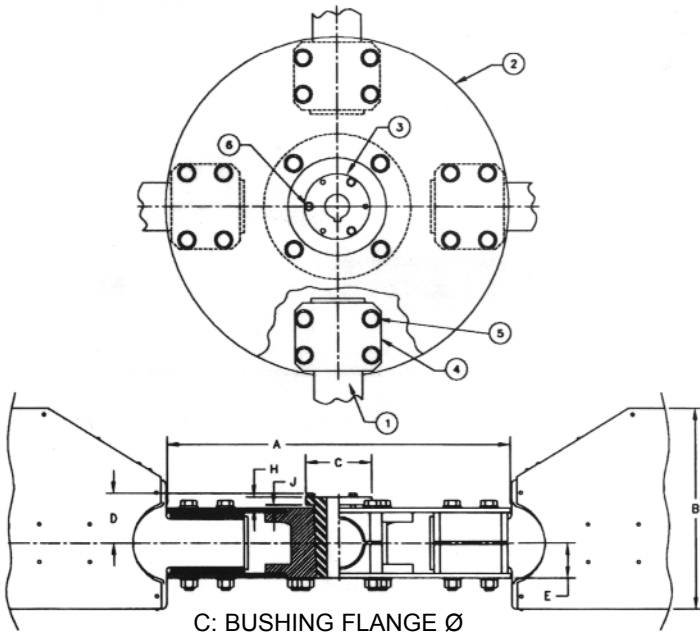
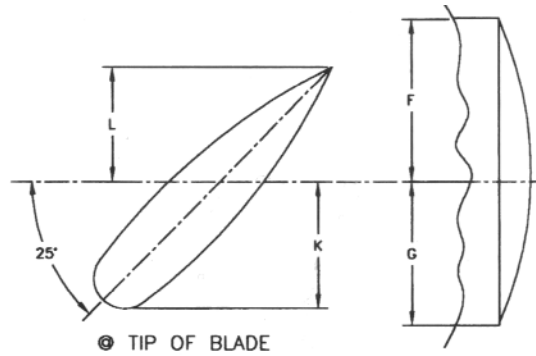


PLATE HUB FAN PARTS LIST	
ITEM	DESCRIPTION
1	BLADE
2	HUB
3	HUB BUSHING
4	BLADE CLAMP
5	BLADE CLAMP
6	HUB BUSHING

Series	Fan Dia	A	B	C	D	E	F	G	H	J	K	L
12F15*	4 - 8	15	12	41/16	23/4	1 1/2	8	4	1 1/8	5/8	1 11/16	33/8
12F24	5 - 14	24	12	65/16	3 1/4	2 1/16	8	4	7/8	1/4	1 11/16	33/8
12F33	6 - 15	33	12	65/16	3 1/4	2 1/16	8	4	7/8	1/4	1 11/16	33/8
12F45	7 - 20	45	12	65/16	3 1/4	2 1/16	8	4	7/8	1/4	1 11/16	33/8

*NOTE: 12F15 CLAMPS USE 2 BOLTS PER BLADE

728 South Wheeling
Tulsa, Oklahoma 74104
Ph.: 918 585 5638
Fax: 918 587 3577
www.Aircooltech.com

AirFlo Cooling Technologies, Inc.